

2x  $10 \begin{matrix} +0.10 \\ -0.05 \end{matrix}$

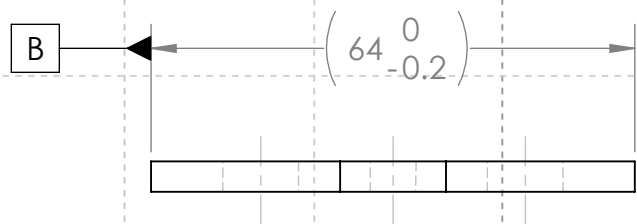
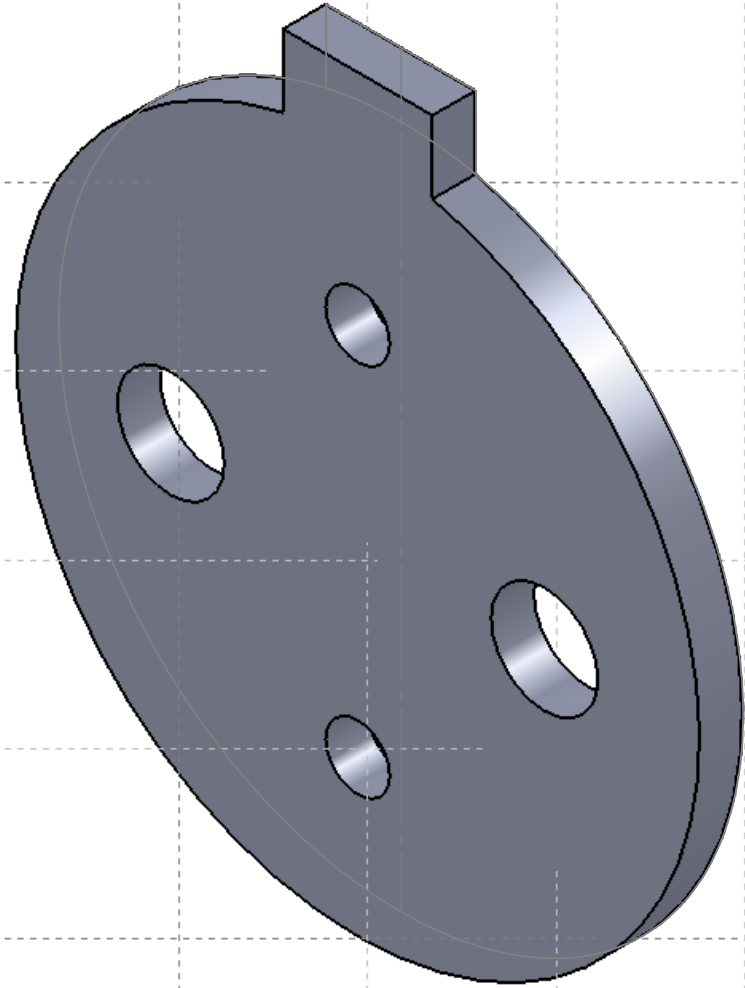
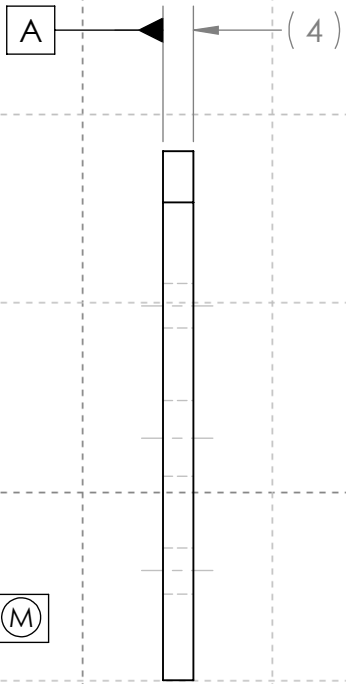
$\oplus \phi 0.5 \text{ (M) A B (M) C (M)}$

SEP REQ

2x  $6 \begin{matrix} +0.10 \\ -0.05 \end{matrix}$

$\oplus \phi 0.7 \text{ (M) A B (M) C (M)}$

SEP REQ



NAME: JUSTIN F.

DATE: SEPT. 16

SCALE: 1:1



STEVENSON HIGH SCHOOL